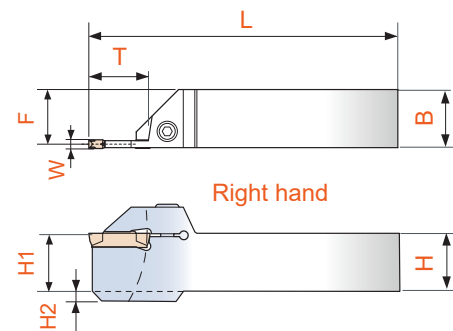
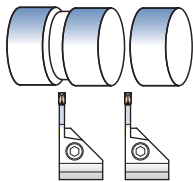





External grooving and parting off tools

Außeneinstecken und Abstecken

Ranurado exterior y Tronzado

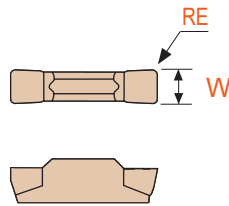
外径溝入れおよび突っ切り加工



DGTR / L	Example / Order code : DGTR-1010K-2-10						Inserts	  		
Grooving tools	H(H1)	B	T	L	F	H2				
DGTR / L -1010K-2-10 DGTR / L -1010K-2-12	10	10	10 12	125	9.3	4	DGN 2002.. DGN 2202..	MS4013F	-	ETL25
DGTR / L -1212K-2-12 DGTR / L -1212K-2-18	12	12	12 18	125	11.3	4	DGN 2..	MS4013F -	- HTM420	ETL25 PL30
DGTR / L -1616K-2-13 DGTR / L -1616K-2-18	16	16	13 18	125	15.3	-	DGN 2..	-	HTM520 HTM520	ETL25 ETL25
DGTR / L -1616K-3-12 DGTR / L -1616K-3-16 DGTR / L -1616K-3-20	16	16	12 16 20	125	14.8	- 4	DGN 3..	-	HTM525 HTM525 HTM525	ETL25 ETL25 ETL25
DGTR / L -2020K-2-13 DGTR / L -2020K-2-18	20	20	13 18	125	19.3	-	DGN 2..	-	HTM525 HTM525	ETL25 ETL25
DGTR / L -2020K-3-12 DGTR / L -2020K-3-16 DGTR / L -2020K-3-20	20	20	12 16 20	125	18.8	-	DGN 3..	-	HTM525 HTM525 HTM525	ETL25 ETL25 ETL25
DGTR / L -2525M-2-13 DGTR / L -2525M-2-18	25	25	13 18	150	24.3	-	DGN 2..	-	HTM525 HTM525	ETL25 ETL25
DGTR / L -2525M-3-12 DGTR / L -2525M-3-16 DGTR / L -2525M-3-20	25	25	12 16 20	150	23.8	-	DGN 3..	-	HTM525 HTM525 HTM525	ETL25 ETL25 ETL25

Inserts
Wendeschneidplatten
Plaquetas
チップ

Size	W
2002	2.0
2202	2.2
3102	3.1



Grooving

Grooving Inserts		Grade	Coating	P	M	K	N	S	H	RE	fz (mm/rev)		
Grooving	DGN 2002C	IC908	PVD	●	●	●	●	●	●	0.2	0.05 - 0.16		
		IC354	PVD	●	●	●	●	●	●	0.2	0.05 - 0.16		
		IC328	PVD	●	●	●	●	●	●	0.2	0.05 - 0.16		
	DGN 2202C	IC908	PVD	●	●	●	●	●	●	0.2	0.05 - 0.16		
		IC354	PVD	●	●	●	●	●	●	0.2	0.05 - 0.16		
		IC328	PVD	●	●	●	●	●	●	0.2	0.05 - 0.16		
		2202J	IC908	PVD	●	●	●	●	●	●	0.2	0.05 - 0.16	
			IC354	PVD	●	●	●	●	●	●	0.2	0.05 - 0.16	
			IC328	PVD	●	●	●	●	●	●	0.2	0.05 - 0.16	
	DGN 3102C	IC908	PVD	●	●	●	●	●	●	0.2	0.10 - 0.25		
		IC354	PVD	●	●	●	●	●	●	0.2	0.10 - 0.25		
		IC328	PVD	●	●	●	●	●	●	0.2	0.10 - 0.25		
		3102J	IC908	PVD	●	●	●	●	●	●	0.2	0.10 - 0.25	
			IC354	PVD	●	●	●	●	●	●	0.2	0.10 - 0.25	
			IC328	PVD	●	●	●	●	●	●	0.2	0.10 - 0.25	
	DGR 2202C-6D	IC908	PVD	●	●	●	●	●	●	0.2	0.04 - 0.12		
		IC354	PVD	●	●	●	●	●	●	0.2	0.04 - 0.12		
		IC328	PVD	●	●	●	●	●	●	0.2	0.04 - 0.12		
		2202J-6D	IC908	PVD	●	●	●	●	●	●	0.2	0.03 - 0.10	
			IC354	PVD	●	●	●	●	●	●	0.2	0.03 - 0.10	
			IC328	PVD	●	●	●	●	●	●	0.2	0.03 - 0.10	
DGR 3102J-6D	IC908	PVD	●	●	●	●	●	●	0.2	0.04 - 0.14			
	IC354	PVD	●	●	●	●	●	●	0.2	0.04 - 0.14			
	IC328	PVD	●	●	●	●	●	●	0.2	0.04 - 0.14			
	3102J-15D	IC908	PVD	●	●	●	●	●	●	0.2	0.04 - 0.10		
		IC354	PVD	●	●	●	●	●	●	0.2	0.04 - 0.10		
		IC328	PVD	●	●	●	●	●	●	0.2	0.04 - 0.10		