

Small diameter carbide drills with coolant holes

Mini VHM-Spiralbohrer mit innenkühlung

Microbrocas de metal duro integral con refrigeración interna

小径油穴付き超硬ドリル

P13

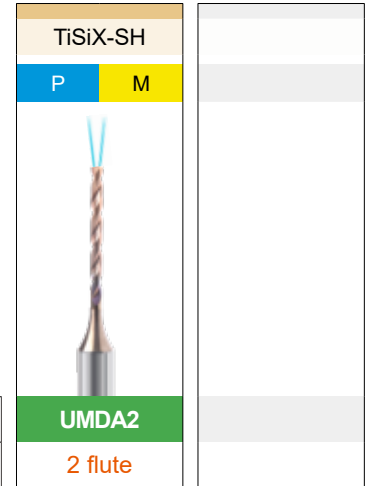
~

P18



VHM		GM

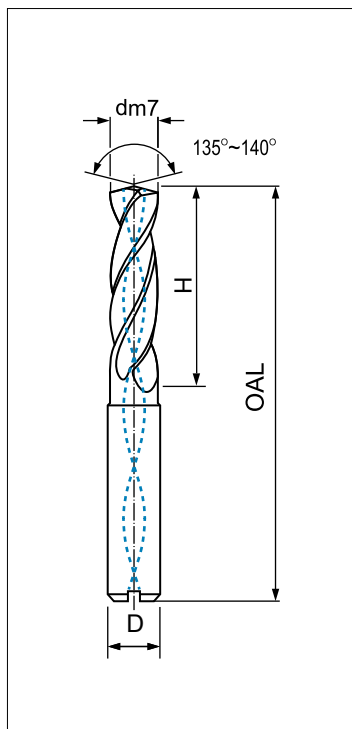
Small diameter carbide drills with coolant holes
 Mini VHM-Spiralbohrer mit innenkühlung
 Microbrocas de metal duro integral con refrigeración interna
 小径油穴付き超硬ドリル



	UMDA2	
P	Rm < 850	
	Rm 850 ~ 1100	
	Rm 1100 ~ 1300	
	Stainless Ferritic Martensitic	
M	Stainless Austenitic	
K	Cast iron	
N	Aluminium Non-metallic	
S	Titanium alloy High temp. alloys	
H	HRC < 48	

Example / Order code : UMDA2 0100X03

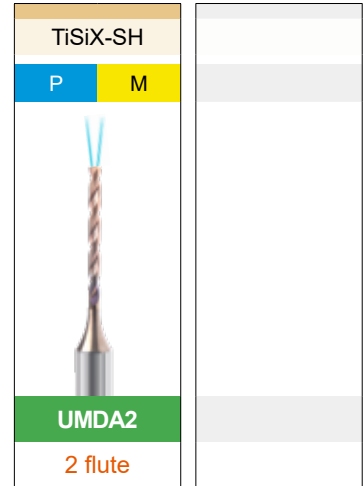
Sub-Code	depth	d x H x D	OAL
0100X03	3	1.00 x 6.0 x C 3	47
0100X05	5	1.00 x 9.0 x C 3	47
0100X08	8	1.00 x 11.0 x C 3	52
0100X15	15	1.00 x 20.0 x C 3	70
0105X03	3	1.05 x 6.5 x C 3	47
0105X05	5	1.05 x 9.0 x C 3	47
0105X08	8	1.05 x 11.0 x C 3	52
0105X15	15	1.05 x 20.0 x C 3	70
0110X03	3	1.10 x 7.0 x C 3	47
0110X05	5	1.10 x 9.0 x C 3	47
0110X08	8	1.10 x 12.0 x C 3	52
0110X15	15	1.10 x 21.0 x C 3	70
0115X03	3	1.15 x 7.5 x C 3	47
0115X05	5	1.15 x 10.0 x C 3	47
0115X08	8	1.15 x 12.0 x C 3	52
0115X15	15	1.15 x 22.0 x C 3	70
0120X03	3	1.20 x 7.5 x C 3	47
0120X05	5	1.20 x 10.0 x C 3	47
0120X08	8	1.20 x 13.0 x C 3	52
0120X15	15	1.20 x 23.0 x C 3	70
0125X03	3	1.25 x 8.0 x C 3	47
0125X05	5	1.25 x 10.0 x C 3	47
0125X08	8	1.25 x 13.0 x C 3	52
0125X15	15	1.25 x 24.0 x C 3	70
0130X03	3	1.30 x 8.0 x C 3	47
0130X05	5	1.30 x 10.0 x C 3	47
0130X08	8	1.30 x 14.0 x C 3	52
0130X15	15	1.30 x 24.0 x C 3	70
0135X03	3	1.35 x 8.5 x C 3	47
0135X05	5	1.35 x 11.0 x C 3	47
0135X08	8	1.35 x 14.0 x C 3	52
0135X15	15	1.35 x 25.0 x C 3	70
0140X03	3	1.40 x 9.0 x C 3	47
0140X05	5	1.40 x 11.0 x C 3	52
0140X08	8	1.40 x 15.0 x C 3	52
0140X15	15	1.40 x 25.0 x C 3	70
0145X03	3	1.45 x 9.0 x C 3	47
0145X05	5	1.45 x 12.0 x C 3	52
0145X08	8	1.45 x 16.0 x C 3	52
0145X15	15	1.45 x 26.0 x C 3	70



UMDA2	2 flute
●	
●	
●	
●	
◇	
◇	
◇	
◇	
●	
●	
●	
●	
◇	
◇	
◇	
◇	
●	
●	
●	
●	
◇	
◇	
◇	
◇	

VHM		GM

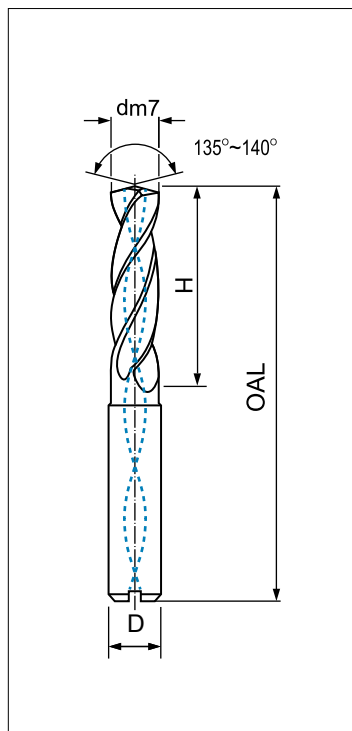
Small diameter carbide drills with coolant holes
 Mini VHM-Spiralbohrer mit innenkühlung
 Microbrocas de metal duro integral con refrigeración interna
 小径油穴付き超硬ドリル



	UMDA2	
P	Rm < 850	
	Rm 850~1100	
	Rm 1100~1300	
	Stainless Ferritic Martensitic	
M	Stainless Austenitic	
K	Cast iron	
N	Aluminium Non-metallic	
S	Titanium alloy High temp. alloys	
H	HRC < 48	

Example / Order code : **UMDA2 0150X03**

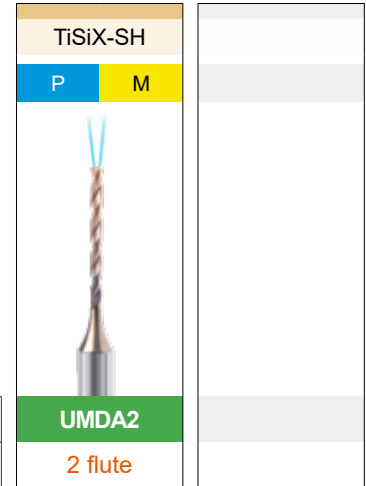
Sub-Code	depth	d x H x D	OAL
0150X03	3	1.50 x 9.0 x C 3	47
0150X05	5	1.50 x 12.0 x C 3	52
0150X08	8	1.50 x 17.0 x C 3	52
0150X15	15	1.50 x 27.0 x C 3	70
0155X03	3	1.55 x 9.5 x C 3	47
0155X05	5	1.55 x 12.0 x C 3	52
0155X08	8	1.55 x 17.0 x C 3	52
0155X15	15	1.55 x 28.0 x C 3	70
0160X03	3	1.60 x 9.5 x C 3	47
0160X05	5	1.60 x 13.0 x C 3	52
0160X08	8	1.60 x 18.0 x C 3	52
0160X15	15	1.60 x 29.0 x C 3	70
0165X03	3	1.65 x 10.0 x C 3	47
0165X05	5	1.65 x 13.0 x C 3	52
0165X08	8	1.65 x 18.0 x C 3	52
0165X15	15	1.65 x 30.0 x C 3	70
0170X03	3	1.70 x 10.0 x C 3	47
0170X05	5	1.70 x 14.0 x C 3	56
0170X08	8	1.70 x 19.0 x C 3	56
0170X15	15	1.70 x 31.0 x C 3	74
0175X03	3	1.75 x 10.5 x C 3	47
0175X05	5	1.75 x 14.0 x C 3	56
0175X08	8	1.75 x 19.0 x C 3	56
0175X15	15	1.75 x 32.0 x C 3	74
0180X03	3	1.80 x 10.5 x C 3	52
0180X05	5	1.80 x 14.0 x C 3	56
0180X08	8	1.80 x 20.0 x C 3	56
0180X15	15	1.80 x 32.0 x C 3	74
0185X03	3	1.85 x 11.0 x C 3	52
0185X05	5	1.85 x 15.0 x C 3	56
0185X08	8	1.85 x 20.0 x C 3	56
0185X15	15	1.85 x 34.0 x C 3	74
0190X03	3	1.90 x 11.0 x C 3	52
0190X05	5	1.90 x 15.0 x C 3	56
0190X08	8	1.90 x 21.0 x C 3	56
0190X15	15	1.90 x 34.0 x C 3	74
0195X03	3	1.95 x 11.5 x C 3	52
0195X05	5	1.95 x 16.0 x C 3	56
0195X08	8	1.95 x 21.0 x C 3	56
0195X15	15	1.95 x 36.0 x C 3	74



UMDA2	2 flute
●	
●	
●	
●	
◇	
◇	
◇	
◇	
●	
●	
●	
●	
◇	
◇	
◇	
◇	
●	
●	
●	
●	
◇	
◇	
◇	
◇	

VHM		GM

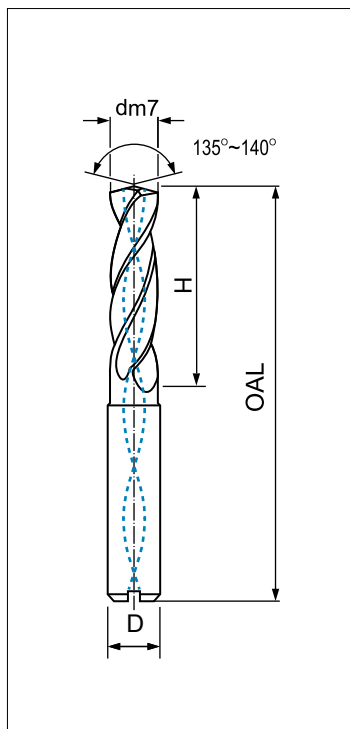
Small diameter carbide drills with coolant holes
 Mini VHM-Spiralbohrer mit innenkühlung
 Microbrocas de metal duro integral con refrigeración interna
 小径油穴付き超硬ドリル



	UMDA2	
P	Rm < 850	
	Rm 850 ~ 1100	
	Rm 1100 ~ 1300	
	Stainless Ferritic Martensitic	
M	Stainless Austenitic	
K	Cast iron	
N	Aluminium Non-metallic	
S	Titanium alloy High temp. alloys	
H	HRC < 48	

Example: Order code : **UMDA2 0200X03**

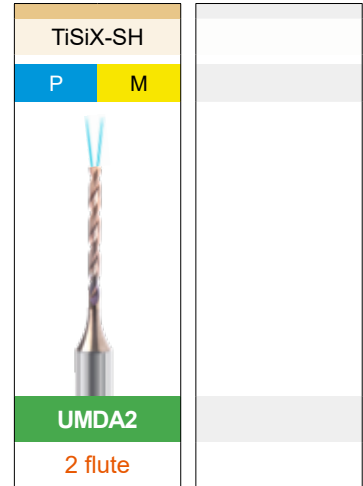
Sub-Code	depth	d x H x D	OAL
0200X03	3	2.00 x 11.5 x C 3	52
0200X05	5	2.00 x 16.0 x C 3	56
0200X08	8	2.00 x 22.0 x C 3	56
0200X15	15	2.00 x 36.0 x C 3	74
0205X03	3	2.05 x 12.0 x C 3	52
0205X05	5	2.05 x 16.0 x C 3	56
0205X08	8	2.05 x 23.0 x C 3	56
0205X15	15	2.05 x 38.0 x C 3	78
0210X03	3	2.10 x 12.0 x C 3	59
0210X05	5	2.10 x 17.0 x C 3	62
0210X08	8	2.10 x 23.0 x C 3	62
0210X15	15	2.10 x 38.0 x C 3	78
0215X03	3	2.15 x 12.5 x C 3	59
0215X05	5	2.15 x 17.0 x C 3	62
0215X08	8	2.15 x 24.0 x C 3	62
0215X15	15	2.15 x 40.0 x C 3	78
0220X03	3	2.20 x 12.5 x C 3	59
0220X05	5	2.20 x 18.0 x C 3	62
0220X08	8	2.20 x 24.0 x C 3	62
0220X15	15	2.20 x 40.0 x C 3	78
0225X03	3	2.25 x 13.0 x C 3	59
0225X05	5	2.25 x 18.0 x C 3	62
0225X08	8	2.25 x 25.0 x C 3	62
0225X15	15	2.25 x 42.0 x C 3	83
0230X03	3	2.30 x 13.0 x C 3	59
0230X05	5	2.30 x 18.0 x C 3	62
0230X08	8	2.30 x 25.0 x C 3	62
0230X15	15	2.30 x 42.0 x C 3	83
0235X03	3	2.35 x 13.5 x C 3	59
0235X05	5	2.35 x 19.0 x C 3	62
0235X08	8	2.35 x 26.0 x C 3	64
0235X15	15	2.35 x 44.0 x C 3	83
0240X03	3	2.40 x 13.5 x C 3	59
0240X05	5	2.40 x 19.0 x C 3	62
0240X08	8	2.40 x 26.0 x C 3	64
0240X15	15	2.40 x 44.0 x C 3	83
0245X03	3	2.45 x 14.0 x C 3	59
0245X05	5	2.45 x 20.0 x C 3	62
0245X08	8	2.45 x 27.0 x C 3	64
0245X15	15	2.45 x 45.0 x C 3	83



TISiX-SH	
P	M
UMDA2	
2 flute	
●	
●	
●	
●	
◇	
◇	
◇	
◇	
●	
●	
●	
●	
◇	
◇	
◇	
◇	
●	
●	
●	
●	
◇	
◇	
◇	
◇	

VHM		GM

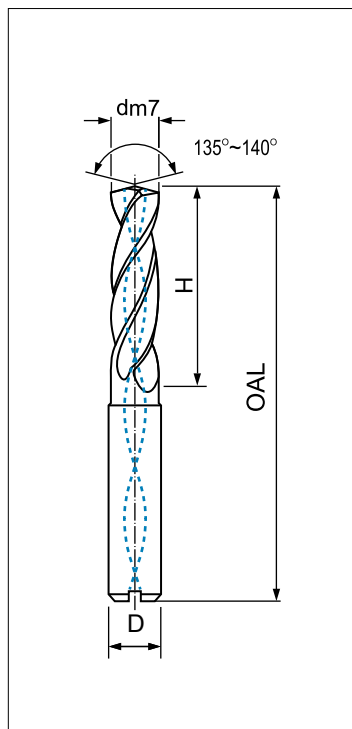
Small diameter carbide drills with coolant holes
 Mini VHM-Spiralbohrer mit innenkühlung
 Microbrocas de metal duro integral con refrigeración interna
 小径油穴付き超硬ドリル



	UMDA2	
P	Rm < 850	
	Rm 850 ~ 1100	
	Rm 1100 ~ 1300	
	Stainless Ferritic Martensitic	
M	Stainless Austenitic	
K	Cast iron	
N	Aluminium Non-metallic	
S	Titanium alloy High temp. alloys	
H	HRC < 48	

Example: Order code : **UMDA2 0250X03**

Sub-Code	depth	d x H x D	OAL
0250X03	3	2.50 x 14.0 x C 3	59
0250X05	5	2.50 x 20.0 x C 3	62
0250X08	8	2.50 x 28.0 x C 3	64
0250X15	15	2.50 x 45.0 x C 3	83
0255X03	3	2.55 x 14.5 x C 3	59
0255X05	5	2.55 x 20.0 x C 3	62
0255X08	8	2.55 x 28.0 x C 3	64
0255X15	15	2.55 x 47.0 x C 3	87
0260X03	3	2.60 x 14.5 x C 3	59
0260X05	5	2.60 x 21.0 x C 3	66
0260X08	8	2.60 x 29.0 x C 3	66
0260X15	15	2.60 x 47.0 x C 3	87
0265X03	3	2.65 x 15.0 x C 3	59
0265X05	5	2.65 x 21.0 x C 3	66
0265X08	8	2.65 x 29.0 x C 3	66
0265X15	15	2.65 x 48.0 x C 3	87
0270X03	3	2.70 x 15.5 x C 3	59
0270X05	5	2.70 x 22.0 x C 3	66
0270X08	8	2.70 x 30.0 x C 3	66
0270X15	15	2.70 x 48.0 x C 3	87
0275X03	3	2.75 x 15.0 x C 3	59
0275X05	5	2.75 x 22.0 x C 3	66
0275X08	8	2.75 x 30.0 x C 3	66
0275X15	15	2.75 x 50.0 x C 3	87
0280X03	3	2.80 x 15.5 x C 3	59
0280X05	5	2.80 x 22.0 x C 3	66
0280X08	8	2.80 x 31.0 x C 3	70
0280X15	15	2.80 x 50.0 x C 3	87
0285X03	3	2.85 x 16.0 x C 3	59
0285X05	5	2.85 x 23.0 x C 3	66
0285X08	8	2.85 x 31.0 x C 3	70
0285X15	15	2.85 x 52.0 x C 3	90
0290X03	3	2.90 x 16.0 x C 3	59
0290X05	5	2.90 x 23.0 x C 3	66
0290X08	8	2.90 x 32.0 x C 3	70
0290X15	15	2.90 x 52.0 x C 3	90
0300X03	3	3.00 x 17.0 x C 3	59
0300X05	5	3.00 x 24.0 x C 3	66
0300X08	8	3.00 x 33.0 x C 3	70
0300X15	15	3.00 x 54.0 x C 3	90



UMDA2	2 flute		
●			
●			
●			
●			
◇			
◇			
◇			
◇			
●			
●			
●			
●			
◇			
◇			
◇			
◇			
●			
●			
●			
●			
◇			
◇			
◇			
◇			